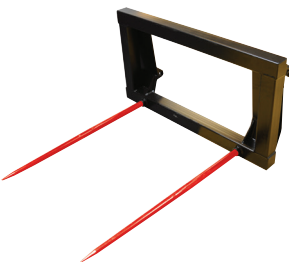


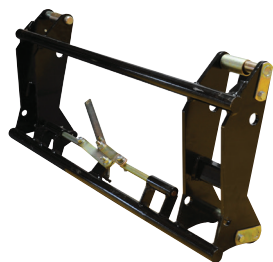
57079
Bale Frame - 2 x M28 x
1100mm Tines
(SHW Brand)

\$913.04 + GST



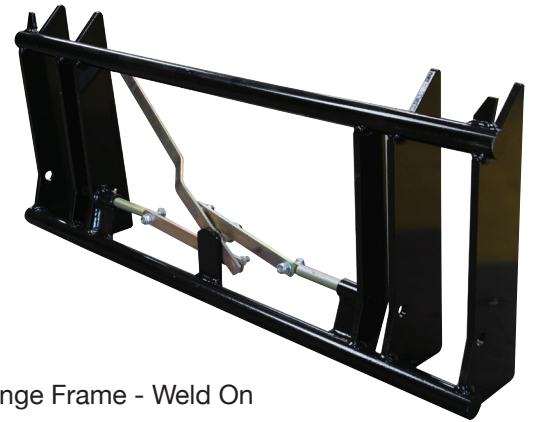
57080
Bale Frame - 2 x M28
x 1250mm Tines (SHW
Brand)

\$947.83 + GST



110171
Quick Change Frame -
Mechanical Lock

\$843.49 + GST



110173
Quick Change Frame - Weld On

\$913.56 + GST



163545
High Back Bale Frame
-1250mm Conus 2
Hayspike

\$891.19 + GST



163546
High Back Bale Frame
-1100mm Conus 2 Hay-
spikes

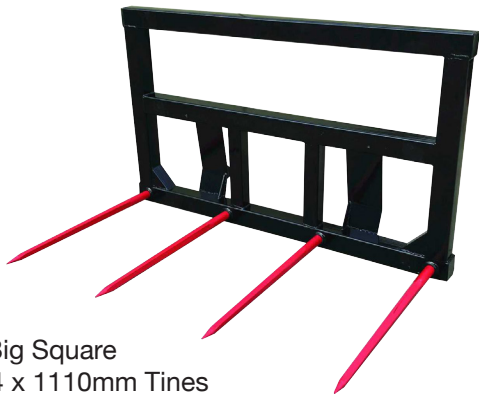
\$853.49 + GST



162683
Heavy Duty Big Square
Baleframe - 4 x 1250mm
Tines (Conus 2)

\$2348.46 + GST





162684
Heavy Duty Big Square
Baleframe – 4 x 1110mm Tines
(Conus 2)

\$2348.46 + GST



165180
High Back Pallet Fork -
80 x 40 x 1070 Forks

\$1912.50 + GST



165181
High Back Pallet Fork -
100 x 40 x 1220 Forks

\$2065.50 + GST



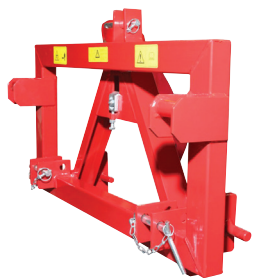
162685
Heavy Duty Big Square Bale
Frame - 2 x 1100mm & 2 x
810mm SHW Tines
(Conus 2)

\$2285.19 + GST



165182
Euro Pallet Fork -
80 x 40 x 1070 Forks

\$1216.35 + GST



143494
Adaptor - 3PL To
Euro-Norm

\$948.07 + GST



165183
Euro Pallet Fork -
100 x 40 x 1220 Forks

\$1454.11 + GST



145175
3PL Pallet Fork Cat.2

\$1026.10 + GST



145176
3PL A Frame Pallet Fork
Cat.1

\$647.48 + GST

BMAS Biloela

14 Raedon Street, Biloela QLD 4715

49925332

parts@bmas.net.au

www.bmas.net.au